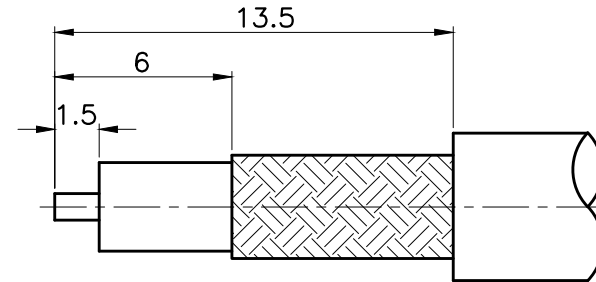
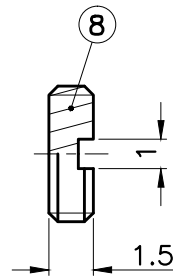
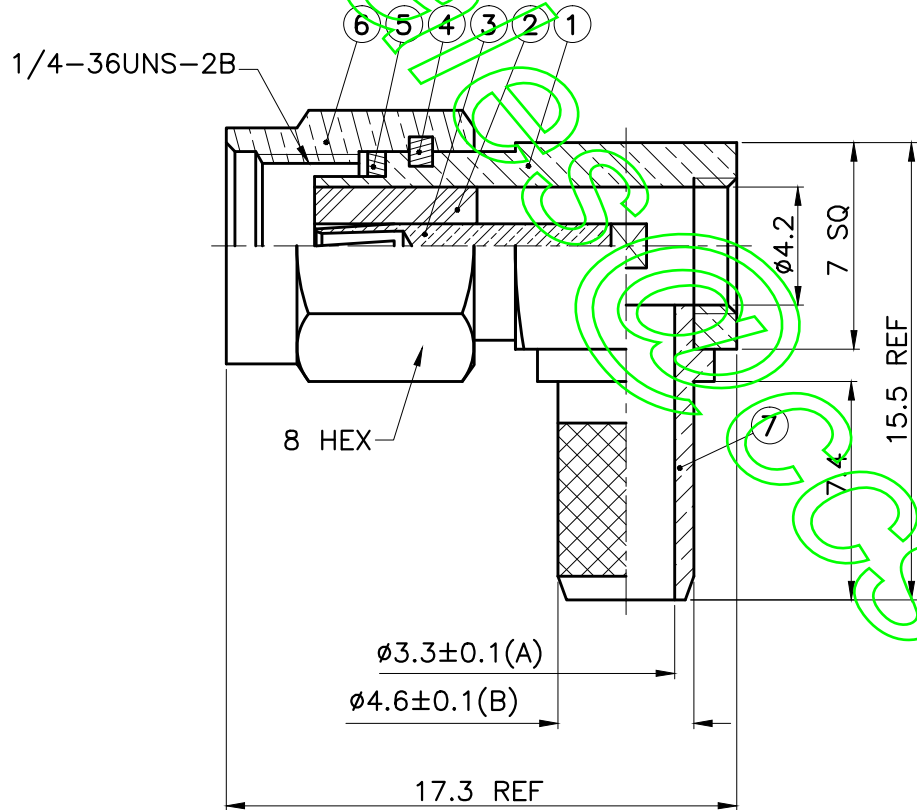
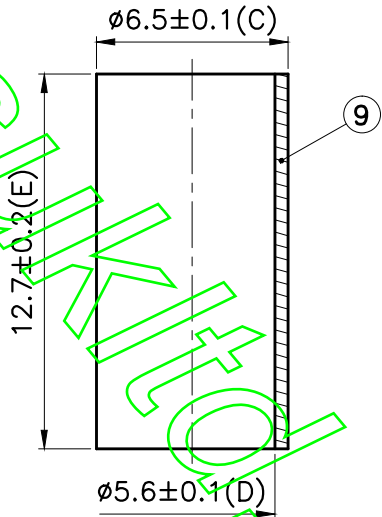


REVISIONS	
ISS	DESCRIPTION \ DATE

RoHS COMPLIANT



RECOMMENDED
CABLE STRIPPING DIM'S



1. CRIMPED FERRULE
HEX CRIMP SIZE .213"
2. CONTACT PIN TO SOLDER



TITLE: RP SMA MALE RIGHT ANGLE CRIMP

APRD:	UNLESS OTHERWISE SPECIFIED TOLERANCES 0.5-6 = ±0.2 >6-30 = ±0.4 >30-120 = ±0.6 >120-315 = ±1 >315-1000 = ±1.6 ANGLES = ±5°
CHKD:	
DR:	
DATE: 11/17/14"	UNIT: mm
SHEET: .	SCALE: 4/1

NO.	DESCRIPTION	MATERIAL	FINISH
9	FERRULE	BRASS	GOLD
8	SPIGOT	BRASS	GOLD
7	BODY	BRASS	GOLD
6	SHELL	BRASS	GOLD
5	GASKET	RUBBER	RED
4	C RING	BRASS	NONE
3	CONTACT PIN	PHOSPHOR BRONZE	GOLD
2	INSULATOR	TEFLON	WHITE
1	BODY	BRASS	GOLD

PART NO: SMAPRACR58R 029

DRAWING NO:

ISO 9001 certificate